





Historical Style Posts

Decorative street lighting posts were first used over 100 years ago to support oil and gas lanterns. These ornate posts were commonly constructed of cast iron. However, when the dual innovations of higher intensity electric street lights and the automobile became prevalent during the first half of the 20th Century, there was a need to place street luminaires at higher mounting heights.

This necessitated taller poles, which could not economically be fabricated using only cast iron technology. Today, Holophane offers a full line of authentically styled decorative aluminum, cast iron, cast iron and steel, composite and fiberglass posts for virtually any project.



Cast aluminum

Cast iron

Cast iron and steel

Composite

Concrete

Cast Aluminum



Beginning as early as the 19th Century, cast posts served as the foundation for urban lighting systems. This resulted in the emergence of a great variety of styles ranging from simple fluted posts to elegant and elaborately embellished multi-fixture light posts.

Today, Holophane decorative aluminum posts help recreate the ambiance of this bygone era by utilizing the styles of the past with modern materials.

Cast aluminum bases matched with fluted cast, smooth tapered, or extruded straight shafts allow Holophane to offer styles that meet almost any application.

Typical Applications

- Historic Districts
- City Streets
- Parks
- Residential Areas
- Campuses
- Walkways

Features

- Early era Styling
- Superior performance
- Ease of maintenance
- Reliability

Premium Material: The copper-free 356.1 aluminum alloy used in post castings ensures maximum corrosion resistance and superior material strength.

Superior Finish: To further enhance corrosion protection, posts are additionally protected with a state-of-the-art seven stage finishing system, which combines a microcrystalline iron oxide primer with an electrostatically applied polyester powder coating. This combination provides unparalleled performance and exceptional durability.

Maximum Strength: Sophisticated testing procedures borrowed from the aviation industry eliminate porosity and guarantee minimum grain size resulting in maximum material strength.

Unparalleled Construction: Shafts are integrated with the base casting by double circumferential welds or are fully cast for maximum structural integrity.

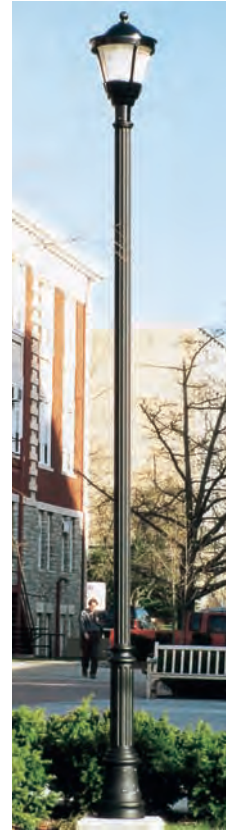
The design of Holophane decorative aluminum posts allows a wide variety of shaft options with as many as four straight extruded shafts along with a variety of fluted or smooth tapered shafts. For information on shaft, luminaire, and crossarm combinations, consult your local Holophane sales representative.

Advantages of Holophane Decorative Aluminum Posts

- Historical styling
- Light weight
- Advanced finishing system
- Cost effective
- Superior construction

Typical Applications

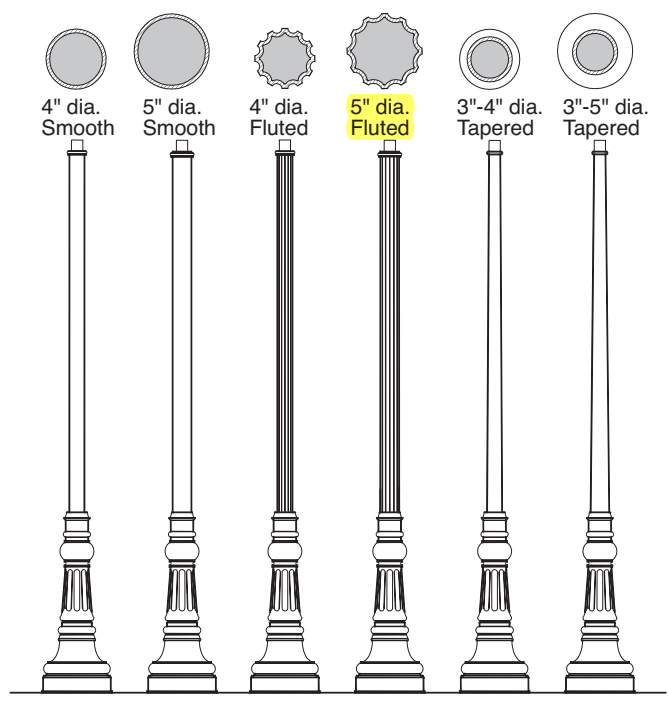
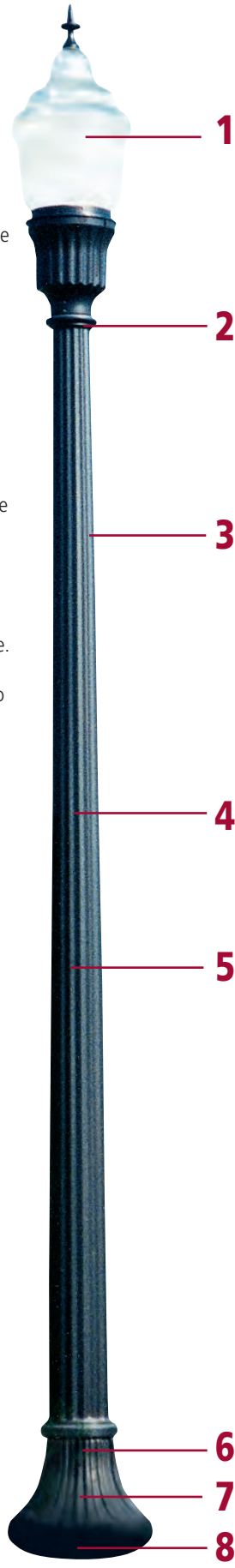
- Where ease of installation is desired
- Where corrosion resistance is required
- As a lower cost alternative to other materials



Product Features

The full line of decorative posts offers a vast array of base styles and shaft options to match any project theme. Anchored by the significant breadth of choice, this collection offers an appropriate set of heights, shaft lengths, and styles for pedestrian-scaled applications providing appropriate scale and transition with decorative post top luminaires.

- 1 Decorative historical style luminaire:** A wide choice of luminaire styles to complement site architecture
- 2 Post capital:** Is field attached to pole tenon and provides appropriate transition to post
- 3 Pole material:** Historical style posts are available in aluminum, cast iron, cast iron and steel, concrete, and composite materials.
- 4 Pole shaft style:** Provides distinct appearance with smooth, fluted and tapered options
- 5 Pole treatment and color:** Will further protect and enhance pole appearance. A wide variety of standard and custom colors are available.
- 6 Pole base:** Provides a wide choice of styles to meet any design theme.
- 7 Pole wire access:** Allows for ease of wiring and maintenance of the pole
- 8 Pole mount:** Can be surface mounted with anchor base configuration or optional direct embedded



Specifications

For detailed performance specifications, visit our web site www.holophane.com

Ordering Information

Cast Aluminum, Cast Iron, Cast Iron & Steel

How to Construct a Catalog Number

Example:

| |
|----------|
| Z |
| 1 |
| PACKAGE |
| Z |

| |
|------------|
| BF |
| 2 |
| POLE STYLE |
| B |
| BF |
| BL |
| C |
| CH |
| CP |
| CO |
| D |
| DW |
| FM |
| FW |
| H |
| K |
| M |
| MR |
| NO |
| NP |
| NY |
| OS |
| P |
| PT |
| RF |
| RH |
| S |
| SP |
| W |

| |
|----------------|
| 8S420 |
| 3 |
| POLE/BASE SIZE |
| See Charts |

| |
|-----------|
| CA |
| 4 |
| MATERIAL |
| CA |
| CI |
| CIS |

| |
|------------|
| BKH |
| 5 |
| FINISH |
| BKH |
| DGH |
| DBH |
| CMH |
| CSH |

| |
|---------------------|
| FG-SXXH |
| 6 |
| OPTIONS/ACCESSORIES |
| FG-SXXH |
| FGIUS-SXXH |
| FGIUL-SXXH |
| RB/GFI/WPC |

For ordering information on the decorative composite and concrete pole options, contact your local Holophane factory sales representative

Notes:
Orientation sheets must be filled out on receptacles and signed by the distributor

For compatible cross-arms and posttop luminaires, see "decorative brackets and crossarms for posttop luminaires"

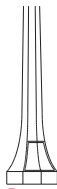


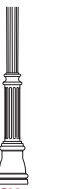





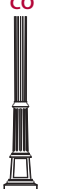

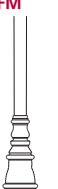



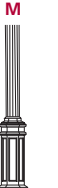
For compatible signage, see "signage for decorative posts" section



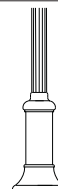
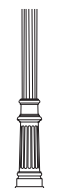

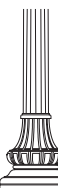
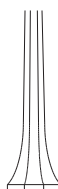
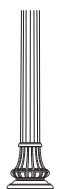

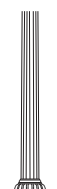
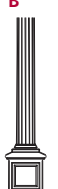




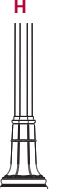
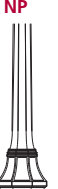
For banner arms, finials, flagpole holders, ladder rests, custom cast logos, and ground fault interrupter weather proof receptacles, see "accessories for decorative cast aluminum, cast iron, and cast iron and steel posts" section

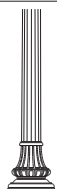
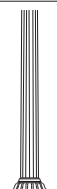
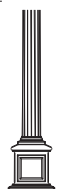


Catalog Number Information

| |
|------------------------------------------------------------------|
| STEP 1: PACKAGE |
| Z ¹ Complete pole package including anchor bolts |
| ¹ To order without any anchor bolts omit the Z prefix |

| |
|--------------------------------------------|
| STEP 2: POLE STYLE |
| Cast Aluminum Only |
| BF Bradford |
| BL Burlington |
| CH Charleston |
| CO Colorado |
| DW Dunwoody |
| FM Freemont |
| K Kentwood |
| M Mount Vernon |
| MR Manchester |
| NO Norwich |
| OS Oslow |
| P Plymouth |
| PT Princeton |
| RH Rockford Harbor |
| S Salem |
| SP Southport |
| W Wadsworth |
| Cast Iron Only |
| NP Nicoma Park |
| SA San Antonio |
| WP Winter Park |
| Cast Aluminum and Cast Iron |
| B Barrington |
| CP Chesapeake |
| H Hamilton |
| NY North Yorkshire |
| Cast Iron and Cast Iron & Steel |
| C Columbia |
| D Delaware |
| FW Fort Washington |
| NY North Yorkshire |
| RF Ridgefield Park |

| |
|-----------------------------------------------------------------------------------------------|
| STEP 2: POLE STYLE |
| Cast Aluminum |
|  B |
|  BF |
|  BL |
|  CH |
|  CP |
|  CO |
|  DW |
|  FM |
|  H |
|  KW |
|  MR |
|  M |
|  NY |
|  NO |
|  OS |
|  P |

| |
|-------------------------------------------------------------------------------------------------------|
| STEP 2: POLE STYLE |
| Cast Aluminum Continued |
|  PT (fluted) |
|  PT (smooth) |
|  RH |
|  S |
|  SP |
|  W |
| Cast Iron |
|  B |
|  C |
|  CP |
|  D |
|  FW |
|  H |
|  NP |
|  NY |
|  RF |
|  SA |
|  WP |

| |
|-------------------------------------------------------------------------------------------------|
| STEP 2: POLE STYLE |
| Cast Iron and Steel |
|  C |
|  D |
|  FW |
|  NY |
|  RF |
| STEP 3: TOP TYPE/DIMENSIONS |
| See the charts on pages 133-131 |
| STEP 4: MATERIAL |
| CA Cast aluminum |
| CI Cast iron |
| CIS Cast iron and steel |
| STEP 5: FINISH |
| BKH Black |
| DGH Dark green |
| DBH Dark bronze |
| CMH¹ Custom color |
| CSH¹ RAL number |
| ¹ Special order |
| STEP 6: OPTIONS AND ACCESSORIES |
| FG-SXXH Receptacle with wet location while cover closed |
| FGIUS-SXXH Receptacle with small, in-use wet location cover |
| FGIUL-SXXH Receptacle with large, in-use wet location cover |
| RB/GFI/WPC Receptacle with weatherproof box and cover for use in base |

