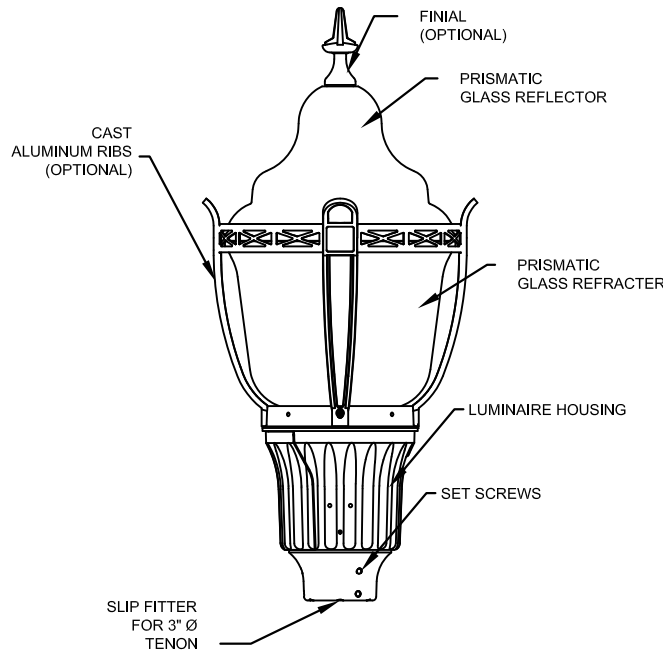


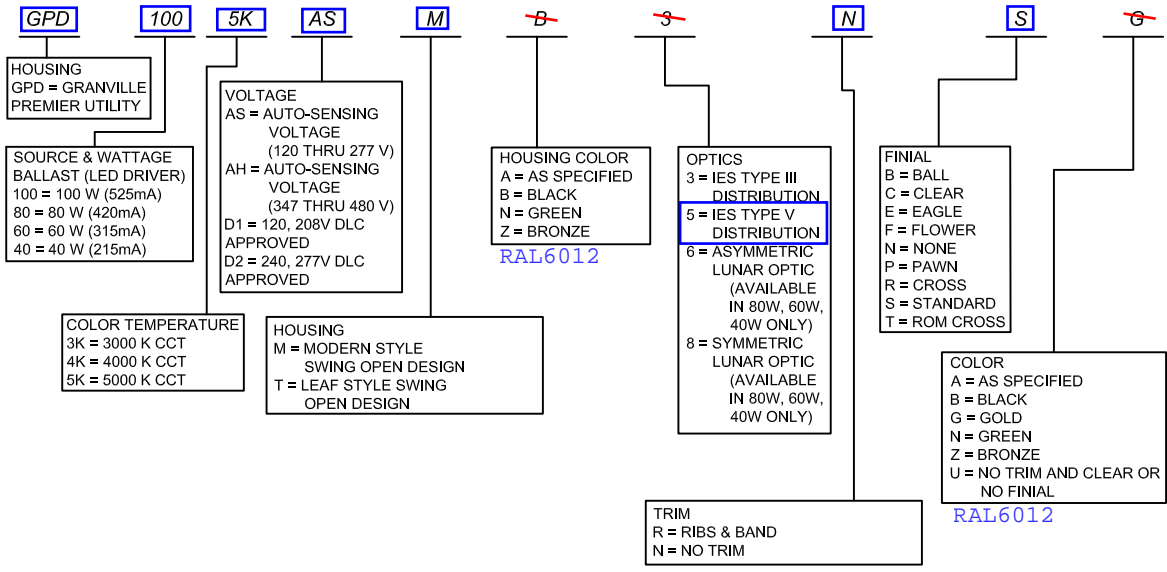
Maximum weight - 64 lbs
 Maximum effective projected area - 1.38 sq. ft.



GranVille® II LED Premier Utility

DECORATIVE
OUTDOOR

ORDERING INFORMATION:



- OPTIONS**
- F = FULL COVER
 - DM = DIMMING DRIVER (100W AS, AH VOLTAGE 40, 60, 80W AS VOLTAGE ONLY)
 - M = MAYFIELD 1/2 OPTIONAL COVER
 - H = NEMA TWISTLOCK PHOTOCONTROL RECEPTACLE
 - PND = BLC2 CONTROL PROVIDED FOR PART-NIGHT DIMMING (40W, 60W, AND 80W 120-277V ONLY)
 - PCS = DTL TWISTLOCK PHOTOCONTROL FOR SOLID STATE
 - PSC = SHORTING CAP
 - L1H = 1.5 FEET OF PREWIRED LEADS
 - L03 = 3 FEET OF PREWIRED LEADS
 - L10 = 10 FEET OF PREWIRED LEADS
 - L20 = 20 FEET OF PREWIRED LEADS
 - L25 = 25 FEET OF PREWIRED LEADS
 - L30 = 30 FEET OF PREWIRED LEADS
 - DE = ROAM CONCIERGE DIMMING CONTROL
 - VE = ROAMVIEW DIMMING CONTROL

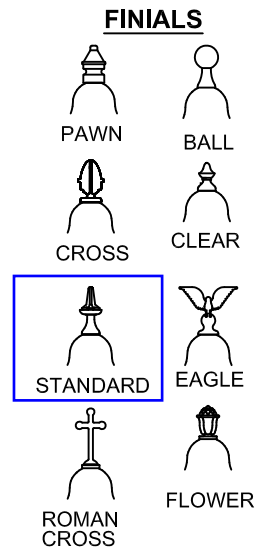
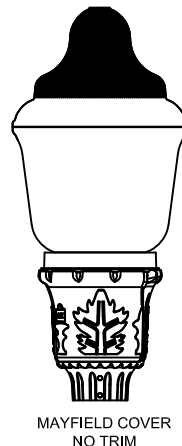
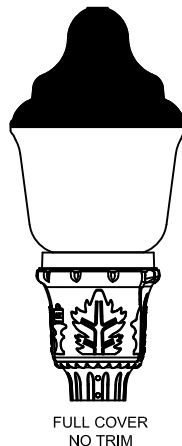
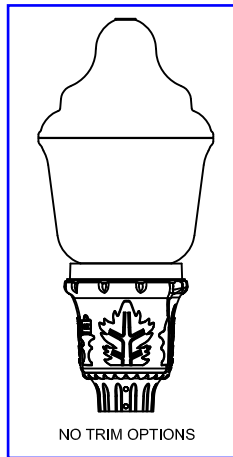
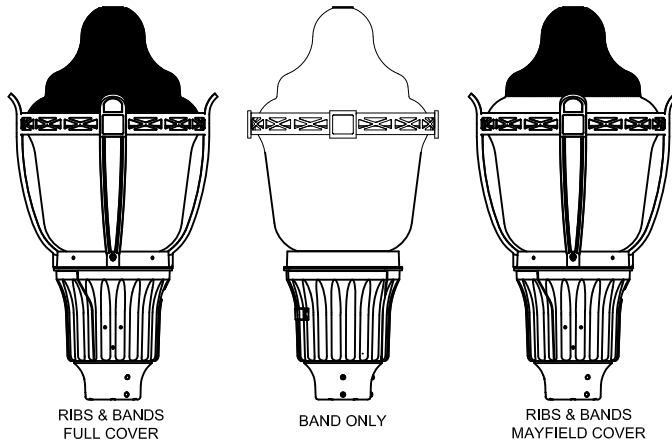
- ACCESSORIES**
- GVBANDX = DECORATIVE BAND (INSERT TRIM FINISH FOR X)
 - GVDHSS90 = HOUSE SIDE SHIELD SOLID 90 DEGREE
 - GVDHSS12 = HOUSE SIDE SHIELD SOLID 120 DEGREE
 - GVDHSS18 = HOUSE SIDE SHIELD SOLID 180 DEGREE

UM Custom Finish:
 RAL 6012 Black green
 RGB (approx.): 052-062-064
 HEX (approx.): #343E40



THIS DRAWING, WHEN APPROVED, SHALL BECOME THE COMPLETE SPECIFICATION FOR THE MATERIAL TO BE FURNISHED BY HOLOPHANE ON THE ORDER NOTED ABOVE. A UNIT OF SIMILAR DESIGN MAY BE FILED FOR THE ORDER. AN ANCHOR BOLT WITH THE LATEST PRINT WILL BE SUPPLIED WITH EACH ANCHOR BOLT ORDER TO MATCH THE POLE PROVIDED. THIS PRINT IS THE PROPERTY OF HOLOPHANE AND IS LOANED SUBJECT TO RETURN UPON DEMAND AND UPON EXPRESS WRITTEN REQUEST TO OUR INTERESTS AND ONLY IN CONNECTION WITH MATERIAL FURNISHED BY HOLOPHANE.

ORDER #:	TYPE: UM STANDARD
DRAWN: JCH	DATE: 6-25-14
DWG #: LUM_GPD	



GranVille® II LED
Premier Utility

DECORATIVE
OUTDOOR



Specifications

GENERAL DESCRIPTION

The GranVille II LED Utility is designed for ease of maintenance with the plug-in electrical module common to each of the luminaires in Holophane's Utility Luminaire Series. The traditional acorn shaped luminaire, while reminiscent of the 1920's, contains a precision optical system that maximizes post spacings while maintaining uniform illumination.

OPTICAL SYSTEM

The optical system consists of a precisely molded thermal resistant borosilicate glass refractor and top reflector mounted within the decorative aluminum housing. The glass top reflector redirects over 50% of the upward light into the controlling refractor while allowing a soft uplight component to define the traditional acorn shape of the luminaire. Two decorative aluminum covers are available. The lower refractor uses precisely molded prisms to maximize pole spacings while maintaining uniform illuminance. Two refractors are available, designed for I.E.S. type III and V distributions. Lunar optics shielding is available for asymmetric and symmetric distributions.

LUMINAIRE HOUSING

The luminaire housing, cast of aluminum, provides an enclosure for the plug-in electrical module. Four uniquely designed stainless steel spring clips enclosed in a clear polyvinyl chloride sleeve and adjusted by hex head 1/4-20 bolts securely cradle the prismatic glass refractor. The same 1/4-20 bolts support the decorative rib and banding assembly. The slipfitter will accept a 3" by 2-7/8" to 3-1/8" O.D. tenon.

LUMINAIRE HOUSING / DOOR

Cast of aluminum, the housing opens with minimum use of tools and is retained on a hinge. For units with an E.E.I.-N.E.M.A. twist lock photocell receptacle, the housing contains a "window" to allow light to reach the cell.

ELECTRICAL MODULE

The electrical components are mounted on a aluminum plate that is removable with minimum use of tools. A matching five conductor plug connects to the receptacle in the luminaire housing to complete the wiring. For photoelectric operation, the electrical module is provided with an E.E.I.-N.E.M.A. twist lock photocell receptacle.

FINISH

The luminaire is finished with polyester powder paint to insure maximum durability.

WARRANTY

Limited warranty located at www.acuitybrands.com/CustomerResources/Terms_and_conditions.aspx

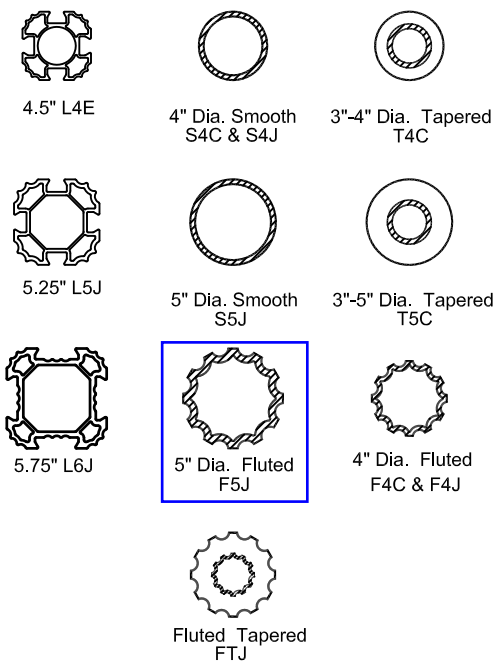
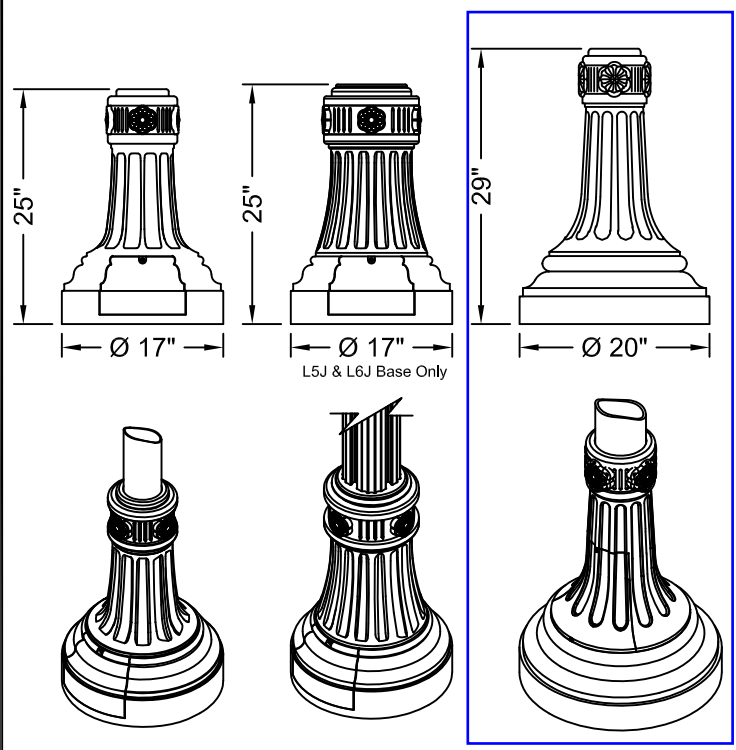
NOTE

Actual performance may differ as a result of end-user environment and application.
Actual wattage may differ by +10% / -10% at operating temperature.
60W 347-480V version wattage may differ by +14% / -14% at operating temperature.
Specification subject to change without notice.

THIS DRAWING, WHEN APPROVED, SHALL BECOME THE COMPLETE SPECIFICATION FOR THE MATERIAL TO BE FURNISHED BY HOLOPHANE ON THE ORDER NOTED ABOVE. A UNIT OF SIMILAR DESIGN MAY BE FILED ON THE ORDER FOR THE PURPOSE OF OBTAINING A UNIT OF THE SAME DESIGN AS AN ANCHOR BOLT. THE DATE PRINT WILL BE SUPPLIED WITH EACH ANCHOR BOLT ORDER TO MATCH THE POLE PROVIDED. THIS PRINT IS THE PROPERTY OF HOLOPHANE AND IS LOANED SUBJECT TO RETURN UPON DEMAND AND UPON EXPRESS WRITTEN NOTICE. THIS DRAWING IS NOT TO BE REPRODUCED IN ANY WAY DETRIMENTAL TO OUR INTERESTS AND ONLY IN CONNECTION WITH MATERIAL FURNISHED BY HOLOPHANE.

ORDER #:	
TYPE: UM	STANDARD
DRAWN:	KRW
DATE:	10/18/12
DWG #:	LUM_GPD

THIS DRAWING, WHEN APPROVED, SHALL BECOME THE COMPLETE SPECIFICATION FOR THE MATERIAL TO BE FURNISHED BY HOLOPHANE ON THE ORDER NOTED ABOVE. A UNIT OF SIMILAR DESIGN MAY BE SUBSTITUTED FOR THE ABOVE, PROVIDED THAT THE SUBSTITUTION WILL BE APPROVED BY HOLOPHANE IN WRITING. ORDERING INFORMATION WILL BE SUPPLIED WITH EACH ANCHOR BOLT ORDER TO MATCH THE POLE PROVIDED. THIS PRINT IS THE PROPERTY OF HOLOPHANE AND IS LOANED SUBJECT TO RETURN UPON DEMAND AND UPON EXPRESS WRITTEN REQUEST. THIS DRAWING IS NOT TO BE REPRODUCED IN ANY WAY DETRIMENTAL TO OUR INTERESTS, AND ONLY IN CONNECTION WITH MATERIAL FURNISHED BY HOLOPHANE.



ORDERING INFORMATION:

NY	A		
Post	Material	Height	Shaft Style
NY = North Yorkshire	A = Aluminum	08 = 8' 09 = 9' 10 = 10' 11 = 11' 12 = 12' 13 = 13' 14 = 14' 15 = 15' 16 = 16' 17 = 17' 18 = 18' 19 = 19'	<p>17" Base FTJ</p> 20 = 20' 21 = 21' 22 = 22' 23 = 23' 24 = 24' 25 = 25' 26 = 26' 27 = 27' 28 = 28' 29 = 29' 30 = 30'
			<p>20" Base FTJ</p> 09 = 8'-7" 11 = 10'-7" 13 = 12'-7" 14 = 14'-1" 09 = 8'-11" 11 = 10'-11" 13 = 12'-11" 14 = 14'-5"
			FTJ = Fluted Tapered, .25 Wall F4C = 4" DIA. Fluted, .125 Wall F4J = 4" DIA. Fluted, .25 Wall F5J = 5" DIA. Fluted, .25 Wall L4E = SiteLink 4.5" Fluted, .156 Wall L5J = SiteLink 5.25" Fluted, .25 Wall L6J = SiteLink 5.75" Fluted, .25 Wall S4C = 4" DIA. Smooth, .125 Wall S4J = 4" DIA. Smooth, .25 Wall S5J = 5" DIA. Smooth, .25 Wall T4C = 3" to 4" DIA. Tapered, .125 Wall T5C = 3" to 5" DIA. Tapered, .125 Wall RAL6012

Base	Tenon	Mounting	Finish
17 = 17" Round (TMP-85) (L4E=TMP40008) (L5J & L6J = TMP40010) 20 = 20" Round (TMP-99)	P01 = POLE CAP P05 = 3" O.D. X 4" LG. P07 = 3" O.D. X 3" LG. P08 = 3" O.D. X 5" LG. P09 = 3" O.D. X 6" LG. P10 = 3" O.D. X 9" LG. P11 = 4.38 O.D. x 12" LG. (3" O.D. = ACTUAL SIZE IS 2.88" O.D.)	P12 = 3" O.D. X 12" LG. P13 = 3" O.D. X 8" LG. P14 = 3" O.D. X 14" LG. P15 = 3.5" O.D. X 8" LG. P16 = 4.5" O.D. X 10" LG. PT1 = VGC Plate	ABG = Anchor Bolts Galvanized Steel LAB = Less Anchor Bolts DBB = Direct Burial Base Galvanized Steel BK = Black BD = Dark Blue BZ = Bronze GH = Graphite GN = GREEN GR = Gray PP = Prime Painted SL = Silver WH = White AS = As Specified

SPECIFICATIONS

DESCRIPTION
 The lighting post shall be all aluminum, one-piece construction, with a classic tapered and fluted base design.

MATERIALS
 The base shall be heavy wall, cast aluminum produced from certified ASTM 356.1 ingot per ASTM B-179-95a or ASTM B26-95. The straight shafts shall be extruded from aluminum, ASTM 6061 alloy, heat treated to a T6 temper. The tapered shaft shall be extruded from aluminum, ASTM 6063 alloy, spun to a tapered shape, then heat treated to a T6 temper. All hardware shall be tamper resistant stainless steel. Anchor bolts to be completely hot dip galvanized.

CONSTRUCTION
 The shaft shall be double welded to the base casting and shipped as one piece for maximum structural integrity. The shaft shall be welded inside the base casting at the top of the access door, and externally where the shaft exits the base. All welding shall be per ANSI/AWS

DIMENSIONS
 The post shall be X'- XX" in height with a 17" or 20" diameter base. The shaft diameter shall be XX". At the top of the post, an integral tenon with a transitional donut shall be provided for luminaire mounting.

INSTALLATION
 The post shall be provided with four, hot dip galvanized L-type anchor bolts. A door shall be provided in the base for anchorage and wiring access. A grounding screw shall be provided inside the base opposite the door.

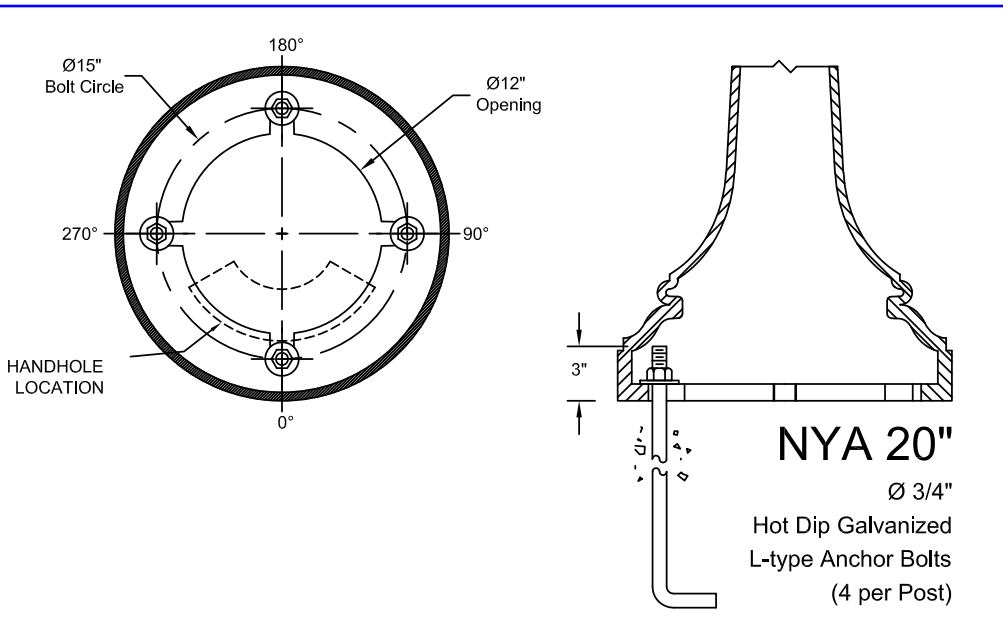
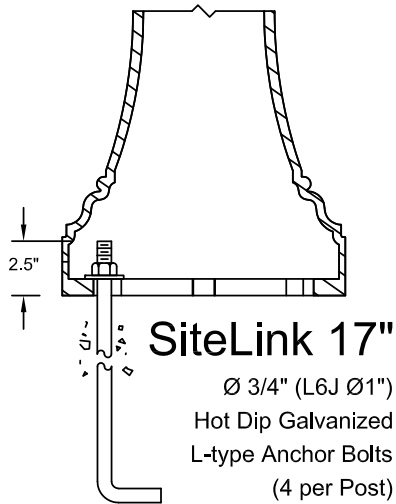
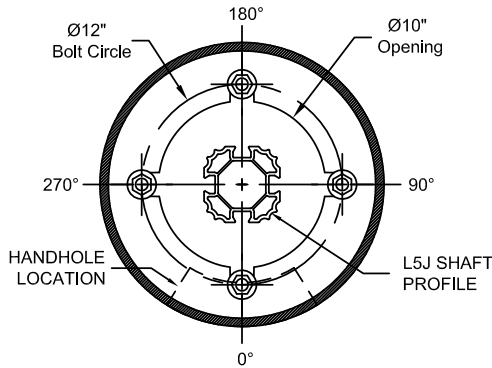
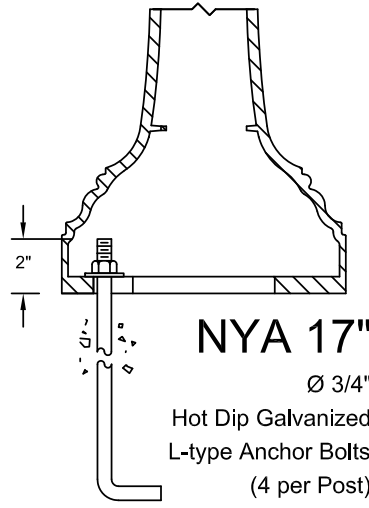
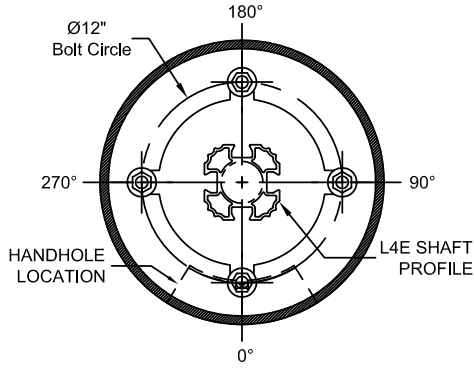
Accessories
NYA17BRKWYKITXX = BREAKAWAY KIT

Options
EXXXY ² = Provision for eye bolt.
LXXXY ² = Large provision.
RXXXY ² = Receptacle provision.
SXXXY ² = Small provision.
FGB = GFI receptacle in base

² - Replace "XXX" with height from grade (inches), can be up to 3 digits. Must use whole numbers. Leading zeros are not used. Replace Y with orientation from hand hole (A=0, B=90, C=180, D=270). Add multiple provisions as necessary to cover each location. Must validate EPA restrictions for banners.

ORDER #:	TYPE: UM STANDARD
DRAWN: KRW	DATE: 4/10/14
DWG #:	POL_NYA

ANCHORAGE GUIDE



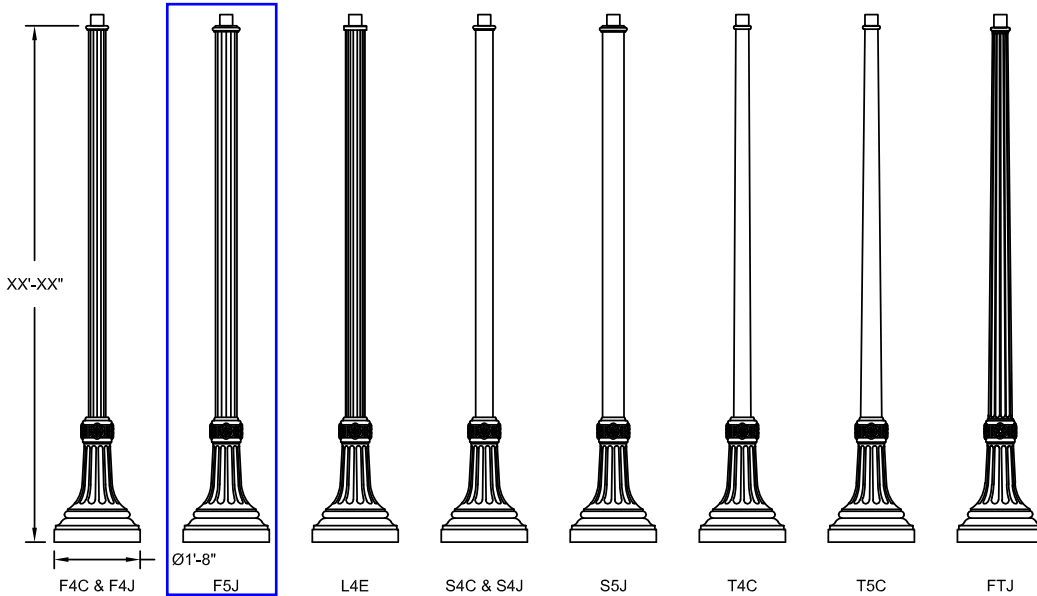
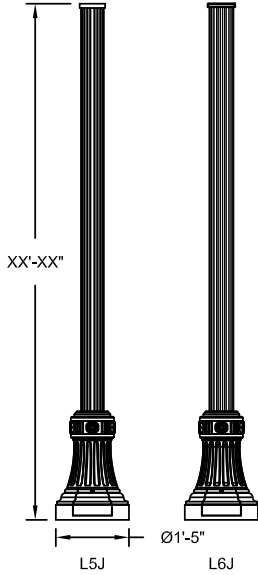
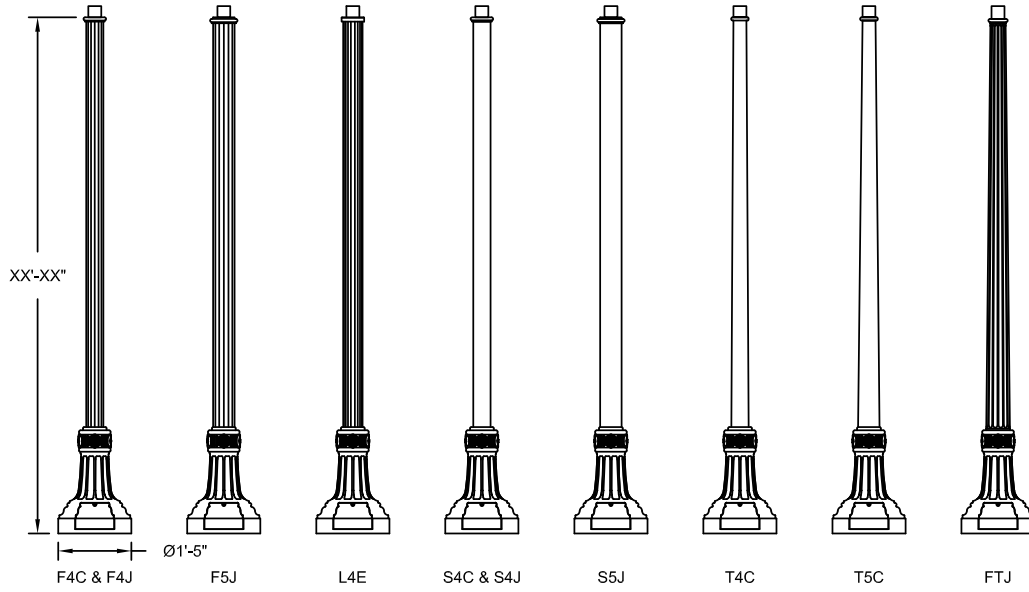
NORTH YORKSHIRETM
Aluminum Pole

**Architectural
Outdoor**

HOLOPHANE[®]
LEADER IN LIGHTING SOLUTIONS
An Acuity Brands Company
© 2010 Acuity Brands Lighting, Inc., All Rights Reserved

THIS DRAWING, WHEN APPROVED, SHALL BECOME THE COMPLETE SPECIFICATION FOR THE MATERIAL TO BE FURNISHED BY HOLOPHANE ON THE ORDER NOTED ABOVE. A UNIT OF SIMILAR DESIGN MAY BE SUBMITTED FOR CONSIDERATION AS AN ALTERNATE DESIGN. ALL MATERIALS AND WORKMANSHIP SHALL BE SUBJECT TO INSPECTION AND APPROVAL BY HOLOPHANE. HOLOPHANE WILL BE SUPPLIED WITH EACH ANCHOR BOLT ORDER TO MATCH THE POLE PROVIDED. THIS PRINT IS THE PROPERTY OF HOLOPHANE AND IS LOANED SUBJECT TO RETURN UPON DEMAND AND UPON EXPRESS WRITTEN NOTICE TO OUR OFFICE. IT IS NOT TO BE REPRODUCED IN ANY WAY DETRIMENTAL TO OUR INTERESTS, AND ONLY IN CONNECTION WITH MATERIAL FURNISHED BY HOLOPHANE.

ORDER #:	TYPE: UM STANDARD
DRAWN: KRW	DATE: 4/10/14
DWG #:	POL_NYA



NORTH YORKSHIRETM
Aluminum Pole

**Architectural
 Outdoor**



THIS DRAWING, WHEN APPROVED, SHALL BECOME THE COMPLETE SPECIFICATION FOR THE MATERIAL TO BE FURNISHED BY HOLOPHANE ON THE ORDER NOTED ABOVE. A UNIT OF SIMILAR DESIGN MAY BE SUBSTITUTED FOR THE UNIT ORDERED WITHOUT NOTICE. HOLOPHANE WILL BE RESPONSIBLE FOR ORDERING ANCHOR BOLTS. TEMPLATE PRINT WILL BE SUPPLIED WITH EACH ANCHOR BOLT ORDER TO MATCH THE POLE PROVIDED. THIS PRINT IS THE PROPERTY OF HOLOPHANE AND IS LOANED SUBJECT TO RETURN UPON DEMAND AND UPON EXPRESS WRITTEN NOTICE TO OUR INTERESTS, AND ONLY IN CONNECTION WITH MATERIAL FURNISHED BY HOLOPHANE.

ORDER #:	
TYPE: UM STANDARD	
DRAWN: KRW	
DATE: 4/10/14	
DWG #: POL_NYA	